



# boss

## BRANDS OF DISTINCTION

### **Kalahari SERIES SANDING MACHINE**

#### ***MODELS:***

MODEL: Kalahari 1100R-RC  
WIDE BELT SANDER  
ROLLER + COMBINATION ( Roller and Pad)

#### ***BASIC FEATURE:***

WORKING WIDTH: 1100MM  
SERVICE SIDE: LEFT  
MOTOR INSIDE  
BRUSH UNIT FOR CLEANING BOARD



282 Orenda Rd. West, Brampton, ON, L6T 4X6 | 800-386-5222 | [www.bossmachines.com](http://www.bossmachines.com)

All machines are supplied with the appropriate CSA or Electrical Safety Authority approvals. Any modifications that are required as a result of local or provincial inspection programs are the responsibility of the purchaser. Price quoted is based on current rate of exchange and is subject to adjustment to prevailing rate at time of payment. Machine understood to be subject to stock prior to sale. We reserve the right to correct any typographic, pictorial and pricing errors without notice.



We applied all our experience in sanding technology to make this heavy duty machine. It's main advantage is the combination of high quality and affordable price. This machine is easy to adjust and maintain, saving you time and cost.

ITEM	MODEL SPC	Kalahari 1100R-RC
Working width		40-1100mm
Working thickness		3-150mm
Feeding speed		6-30m/min
First belt speed		22m/s
Second belt speed		16m/s
Sanding belt size		1130*2620mm
Total power		54HP
First belt motor		30HP-4P
Second belt motor		20HP-4P
Lift & decline table height		0.5HP
Brush motor		0.5HP
Working pressure		0.4-0.8Mpa
Compressed air consumption		1.5CBM/min
Overall dimension		2530*1720*2250mm
Weight		5700lbs

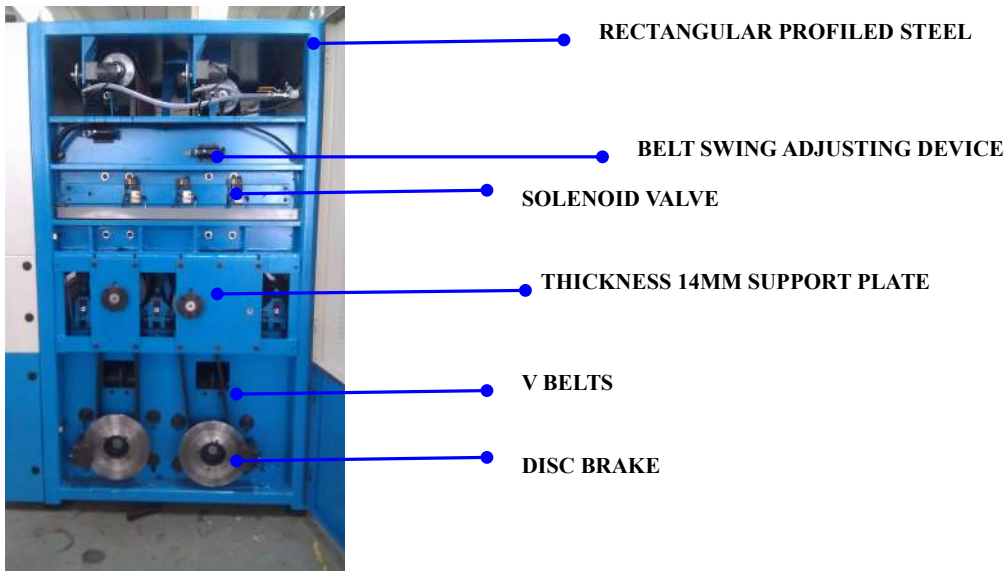


# boss

## BRANDS OF DISTINCTION

### ***MACHINE FRAME:***

- ◆ Built with rectangular profiled steel elements to give a very high rigidity to the frame; main motors positioned inside the frame in a protected position.
- ◆ Transmission from main motors to working units with V-belts and pulleys, disk brakes on each working unit for emergency stop.
- ◆ Standard paint white and sky blue.
- ◆ Machine manufactured per CE regulations according to European general machine directive.
- ◆ Machine frame for forklift handling.



### ***PRESSURE UNITS:***

- ◆ Pressure units to hold the work pieces on the feed belt; are positioned in front and rear of each working unit: independent variable pressure control.
- ◆ Standard pressure units are pressure rollers.



282 Orenda Rd. West, Brampton, ON, L6T 4X6

800-386-5222

[www.bossmachines.com](http://www.bossmachines.com)

All machines are supplied with the appropriate CSA or Electrical Safety Authority approvals. Any modifications that are required as a result of local or provincial inspection programs are the responsibility of the purchaser. Price quoted is based on current rate of exchange and is subject to adjustment to prevailing rate at time of payment. Machine understood to be subject to stock prior to sale. We reserve the right to correct any typographic, pictorial and pricing errors without notice.





# boss

## BRANDS OF DISTINCTION

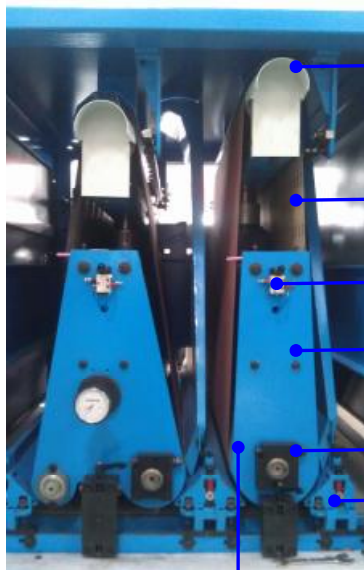
### **FEED SYSTEM:**

- ◆ Rigid feed table, the top plate is built in anti-wear steel with tolerance within 0.05mm; table surface fine-grinded to avoid wear of the internal side of the feed belt.
- ◆ Feed belt's surface is rubber at appropriate hardness; top profile according to operation requirement.



### **THE FRONT WORKING UNIT:**

Working unit with 240mm diameter steel sanding roller complete with: sanding belt tension unit; electronic oscillation; dust hood; safety systems.  
Sanding roller with helicoidal grooves for cooling.  
Motor with one speed of rotation.



**BELT CAT**

**BELT SIZE: 1130\*2620MM**

**BELT TENSION SWITCH**

**MACHINE PLATE CUT BY CNC MACHINE**

**ADJUST BAR FOR ECCENTRIC SHAFT**

**PRESSURE SYSTEM**



**DIAMETER 240MM**

282 Orenda Rd. West, Brampton, ON, L6T 4X6

800-386-5222

[www.bossmachines.com](http://www.bossmachines.com)

All machines are supplied with the appropriate CSA or Electrical Safety Authority approvals. Any modifications that are required as a result of local or provincial inspection programs are the responsibility of the purchaser. Price quoted is based on current rate of exchange and is subject to adjustment to prevailing rate at time of payment. Machine understood to be subject to stock prior to sale. We reserve the right to correct any typographic, pictorial and pricing errors without notice.



# boss

## BRANDS OF DISTINCTION

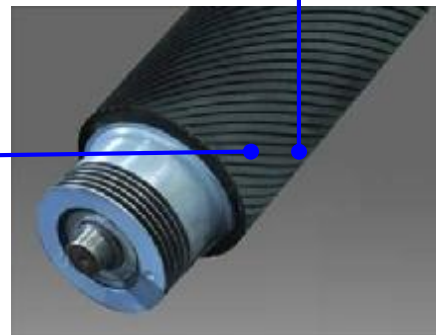
### ***THE REAR WORKING UNIT:***

Working unit is a combination of rubber roller and pad, with alloy rack, felt, graphite cloth complete with sanding belt tension unit; electronic oscillation; dust hood; safety systems. Rubber roller is 180mm diameter and hardness 70 shore. Sanding pad can easily be adjusted up and down. Motor with one speed of rotation.

- BELT CAT**
- BELT SIZE: 1130\*2620MM**
- BELT TENSION SWITCH**
- MACHINE PLATE CUT BY CNC MACHINE**
- SANDING PAD HEIGHT INDICATOR**
- SANDING PAD**



**RUBBER ROLLER DIAMETER: 180MM**



### **ELECTRICAL CABINET:**

- ◆ Electrical cabinet at the front side of the machine, includes a main switch. Push buttons and control panel at same side of sanding belt insertion, with a series of leds for the automatic diagnostic of faults.
- ◆ Electrical cabinet built on standard CE rules.

282 Orenda Rd. West, Brampton, ON, L6T 4X6 | 800-386-5222 | [www.bossmachines.com](http://www.bossmachines.com)

All machines are supplied with the appropriate CSA or Electrical Safety Authority approvals. Any modifications that are required as a result of local or provincial inspection programs are the responsibility of the purchaser. Price quoted is based on current rate of exchange and is subject to adjustment to prevailing rate at time of payment. Machine understood to be subject to stock prior to sale. We reserve the right to correct any typographic, pictorial and pricing errors without notice.